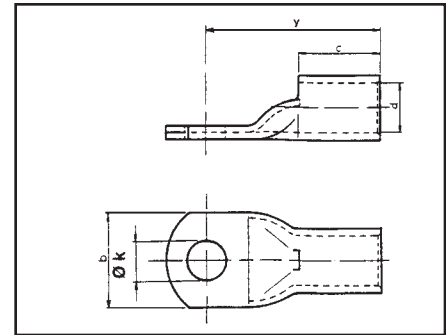


TYPE YAV

HYLUG™

NON-INSULATED COPPER TUBULAR TERMINALS 0.3 - 1000 mm²



C-86

Made from electrolytic copper tube, electro tinned. Range of copper tube formed terminals taking wires from 0.3 - 1000 mm². Heat resistant up to +125° C.

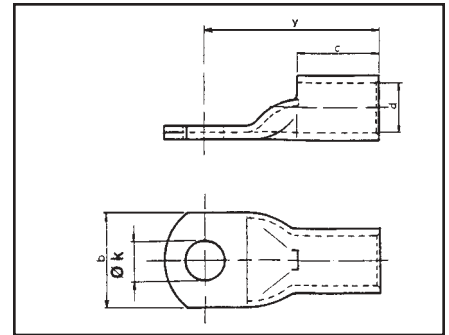
Catalog Number	mm ²	Stud size	d	y	b	c	Øk	Pack Qty.	Mechanical tools		Hydraulic tools					
									Tooling number	MRD29	Y29BH Y29NC	Y35BH Y35	Y644M			
YAV18T4	0.3 - 1.2	3.0	1.4	13.7	4.8	6.9	3.1	100	Y10R4BY							
YAV18T5		3.5		15.5	6.1		3.7									
YAV18T1		4.0		15.5	8.0		4.3									
YAV18		5.0		15.5	8.0		5.1									
YAV025M35	1.5 - 2.5	3.5	2.3	13.7	6.0	6.9	3.7	100	Y10R4BY							
YAV025M4		4.0		15.2	8.0		4.3									
YAV025M5		5.0		15.2	8.0		5.3									
YAV025M6		6.0		16.7	10.4		6.4									
YAV14T3	2.5 - 4	8.0	2.6	17.9	11.1	6.9	8.4	100	Y10R4BY							
YAV04M4		4.0		15.2	6.9		4.3									
YAV04M5		5.0		15.2	7.6		5.3									
YAV04M6		6.0		16.7	9.1		6.4									
YAV06M35	4 - 6	3.5	3.3	17.9	7.0	9.5	3.7	50	Y10R4BY							
YAV06M4		4.0		19.4	8.0		4.3									
YAV06M5		5.0		19.9	10.0		5.3									
YAV06M6		6.0		20.9	11.0		6.4									
YAV06M8		8.0		23.4	13.0		8.4									
YAV10T38		10.0		22.5	14.2		10.5									
YAV06FM4	Flex 6	4.0	3.8	18.1	8.0	9.9	4.3	50	Y10R4BY							
YAV06FM5		5.0		19.1	9.7		5.3									
YAV06FM6		6.0		20.1	11.0		6.4									
YAV06FM8		8.0		22.1	13.0		8.4									
YAV06FM10		10.0		24.1	14.0		10.5									
YAV10M4	10	4.0	4.6	19.4	10.3	12.0	4.3	50	Y10R4BY MY2913GE2	N	I	N	I	N	I	
YAV10M5		5.0		20.4	10.3		5.3			50NC1	50PIO-25C	DV8L	Y29PL	UV8CD	Y35P1 + Y29PQS (Y29PQ10B1 UK)	DIELESS
YAV10M6		6.0		21.4	11.1		6.4									
YAV10M8		8.0		23.4	14.3		8.4									
YAV10M10		10.0		25.4	14.3		10.5									
YAV10M12		12.0		28.4	18.5		12.3									
YAV16M5	16	5.0	5.7	22.9	12.7	14.0	5.3	50	MY2913GE2	50NC1						
YAV16M6		6.0		23.9	12.7		6.4									
YAV16M8		8.0		25.9	15.0		8.4									
YAV16M10		10.0		27.9	15.0		10.5									
YAV16M12		12.0		30.9	18.5		13.2									
YAV25M5	25	5.0	7.2	24.7	13.9	15.0	5.3	50	MY2913GE2	50NC2	50PIO-25C	DV4L	Y29PL	UV4CD	Y35P1 + Y29PQS (Y29PQ10B1 UK)	DIELESS
YAV25M6		6.0		25.7	13.9		6.4									
YAV25M8		8.0		27.7	15.9		8.4									
YAV25M10		10.0		29.7	15.9		10.5									
YAV25M12		12.0		32.7	18.5		13.2									

N = Nest die, I = Indentor

TYPE YAV

HYLUG™

NON-INSULATED COPPER
TUBULAR TERMINALS
0.3 - 1000 mm²
(Continued)



C-87

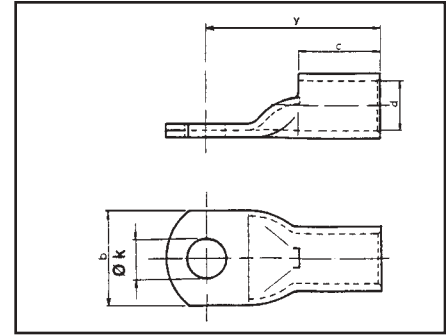
Catalog Number	mm ²	Stud size	d	y	b	c	Øk	Pack Qty.	Mechanical tools				Hydraulic tools				Y644M
									Tooling number	MRD29		Y29BH Y29NC		Y35BH Y35		Y644M	
										N	I	N	I	N	I		
YAV35M5	35	5	8.5	27.4	15.9	17.0	5.3	50	MY2913GE2	50NC2	50P35-70C	DV2L	Y29PL	UV2CD	Y35P1 + Y29PQS (Y29PQ11B1 UK)	DIELESS	
YAV35M6		6		28.4	15.9		6.4										
YAV35M8		8		30.4	15.9		8.4										
YAV35M10		10		32.4	15.9		10.5										
YAV35M12		12		35.4	19.8		13.2										
YAV50M5	50	5	9.5	30.9	18.2	20.0	5.3	50	MY2913GE2	50NC2	50P35-70C	DV1L	Y29PL	UV1CD	Y35P1 + Y29PQS (Y29PQ11B1 UK)	DIELESS	
YAV50M6		6		31.9	18.2		6.4										
YAV50M8		8		33.9	18.2		8.4										
YAV50M10		10		35.9	18.2		10.5										
YAV50M12		12		38.9	19.8		13.2										
YAV50M14		14		38.9	21.5		15.0										
YAV50M16	16	41.9	22.4	17.0													
YAV50FM5	Flex 50	5	10.0	30.9	18.2	20.0	5.3	50	MY2913GE2	50NC12	50P35-70C	DV1L	Y29PL	UV1CD	Y35P1 + Y29PQS (Y29PQ11B1 UK)	DIELESS	
YAV50FM6		6		31.9	19.5		6.4										
YAV50FM8		8		33.9	19.5		8.4										
YAV50FM10		10		35.9	19.5		10.5										
YAV50FM12		12		38.9	21.8		13.2										
YAV50FM14		14		38.9	21.8		15.0										
YAV50FM16	16	41.9	22.4	17.0													
YAV70M5	70	5	11.3	32.4	21.4	21.0	5.3	25	MY2913GE2	50NC1 -2X	50P95-120C	DV25L	Y29PR	UV25D	Y35P1 + Y29PQ6S (Y29PQ12B1 UK)	DIELESS	
YAV70M6		6		33.4	21.4		6.4										
YAV70M8		8		35.4	21.4		8.4										
YAV70M10		10		37.4	21.4		10.5										
YAV70M12		12		40.4	22.4		13.2										
YAV70M14		14		40.4	22.4		15.0										
YAV70M16	16	43.4	22.4	17.0													
YAV70FM5	Flex 70	5	12.8	37.4		25.0	5.3	25	MY2913GE2	50NC1 - 2X	50P95-120C	DV26L	Y29PR	UV26D	Y35P1 + Y29PQ6S (Y29PQ12B1 UK)	DIELESS	
YAV70FM6		6		38.4			6.4										
YAV70FM8		8		40.4			8.4										
YAV70FM10		10		42.4	23.8		10.5										
YAV70FM12		12		45.4			13.2										
YAV70FM14		14		45.4			15.0										
YAV70FM16	16	48.4		17.0													
YAV95M8	95	8	13.4	41.4		25.0	8.4	25	MY2913GE2	50NC2 - 2X	50P95-120C	DV27L*	Y29PR	UV27D	Y35P1 + Y29PQ6S (Y29PQ12B1 UK)	DIELESS	
YAV95M10		10		43.4			10.5										
YAV95M12		12		46.4	25		13.2										
YAV95M14		14		46.4			15.0										
YAV95M16		16		49.4			17.0										

N = Nest die, I = Indentor
*DV27L - DV28L - only for Y29BH

TYPE YAV

HYLUG™

NON-INSULATED COPPER
TUBULAR TERMINALS
0.3 - 1000 mm²
(Continued)



C-88

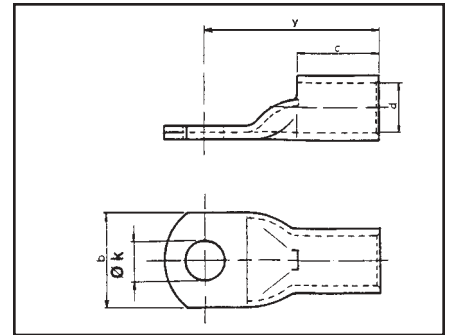
Catalog Number	mm ²	Stud size	d	y	b	c	Øk	Pack Qty.	Mechanical tools				Hydraulic tools			
									Tooling number	MRD29		Y29BH Y29NC		Y35BH Y35		Y644M
										N	I	N	I	N	I	
YAV95FM8	Flex 95	8	14.2	41.4	25.0	25.0	8.4	25	MY2913GE2	50NC2 - 2X	50P95-120C	DV27L*	Y29PR	UV27D	Y35P1 + Y29PQ6S (Y29PQ12B1 UK)	DIELESS
YAV95FM10		10		43.4			10.5									
YAV95FM12		12		46.4			13.2									
YAV95FM14		14		46.4			15.0									
YAV95FM16		16		49.4			17.0									
YAV120M8	120	8	15.0	44.4	29.0	27.0	8.4	25	MY2913GE2	50NC1 - 2X	50P95-120C	DV28L*	Y29PR	UV28D	Y35P1 + Y29PQ6S (Y29PQ12B1 UK)	DIELESS
YAV120M10		10		46.4			10.5									
YAV120M12		12		49.4			13.2									
YAV120M14		14		49.4			15.0									
YAV120M16		16		52.4			17.0									
YAV120M20	20	58.4	21.0													
YAV120FM8	Flex 120	8	15.9	44.4	29.0	27.0	8.4	25	MY2913GE2	50NC1 - 2X	50P95-120C	DV28L*	Y29PR	UV28D	Y35P1 + Y29PQ6S (Y29PQ12B1 UK)	DIELESS
YAV120FM10		10		46.4			10.5									
YAV120FM12		12		49.4			13.2									
YAV120FM14		14		49.4			15.0									
YAV120FM16		16		52.4			17.0									
YAV120FM20	20	58.4	21.0													

N = Nest die, I = Indentor
 *DV27L - DV28L - only for Y29BH
 Y260DBHM takes U-Dies with adaptor 26UADP
 Y46 takes U-Dies with adaptor PUADP-1

TYPE YAV

HYLUG™

**NON-INSULATED COPPER
TUBULAR TERMINALS**
0.3 - 1000 mm²
(Continued)



C-89

Catalog Number	mm ²	Stud size	d	y	b	c	Øk	Pack Qty.	Hydraulic tools								
									Y35BH Y35		Y644M	Y260DBHM		Y46*		UK Y22BH	
									N	I		N	I	N	I	N	I
YAV150M10	150	10	16.5	52.3	30.4	27.0	10.5	10	U30D	DIELESS	Y35P1 + Y29PQ7S (Y29PQ12B1 UK)	26M30D	26P30-34C	U30D	PUADP + Y35P3 + Y34PR	EDB1 + Y20PQ8	
YAV150M12		12		55.3													13.2
YAV150M14		14		55.3													15.0
YAV150M16		16		58.3													17.0
YAV150M20		20		64.3													21.0
YAV150FM10	Flex 150 UK	10	17.8	55.9	32.8	28.6	10.5	10	U31D	DIELESS	Y35P1 + Y29PQ7S (Y29PQ12B1 UK)	26M31D	26P30-34C	U31D	PUADP + Y35P3 + Y34PR	ED31BD	
YAV150FM12		12		58.9													13.2
YAV150FM14		14		58.9													15.0
YAV150FM16		16		61.9													17.0
YAV150FM20		20		67.9													21.0
YAV185M10	185	10	18.4	61.8	35.7	30.2	10.5	10	U32D	DIELESS	Y35P1 + Y29PQ7S (Y29PQ12B1 UK)	26M32D	26P30-34C	U32D	PUADP + Y35P3 + Y34PR	ED32BD	
YAV185M12		12		64.8													13.2
YAV185M14		14		64.8													15.0
YAV185M16		16		67.8													17.0
YAV185M20		20		73.8													21.0
YAV185FM10	Flex 185 UK	10	19.4	61.8	35.7	30.2	10.5	10	U32D	DIELESS	Y35P1 + Y29PQ7S (Y29PQ12B1 UK)	26M32D	26P30-34C	U32D	PUADP + Y35P3 + Y34PR	ED32BD	
YAV185FM12		12		64.8													13.2
YAV185FM14		14		64.8													15.0
YAV185FM16		16		67.8													17.0
YAV185FM20		20		73.8													21.0
YAV240M10	240	10	21.2	68.2	39.6	34.9	10.5	10	U34D	DIELESS	Y35P1 + Y29PQ7S (Y29PQ12B1 UK)	26M34D	26P36C	U34D	PUADP + Y35P3 + Y34PR	EDB1 + Y20PQ10	
YAV240M12		12		71.2													13.2
YAV240M14		14		71.2													15.0
YAV240M16		16		74.2													17.0
YAV240M20		20		80.2													21.0
YAV240FM10	Flex 240 UK	10	22.0	73.4	41.0	36.0	10.5	10	U35BD	DIELESS	Y35P1 + Y29PQ7S (Y29PQ12B1 UK)	26M35BD	26P36C	U35BD	PUADP + Y35P3 + Y34PR	ED35BD	
YAV240FM12		12		76.4													13.2
YAV240FM14		14		76.4													15.0
YAV240FM16		16		79.4													17.0
YAV240FM20		20		85.4													21.0
YAV300M12	300	12	23.4	77.3	43.0	43.0	13.2	10	U36D	DIELESS	Y35P1 + Y29PQ7S (Y29PQ12B1 UK)	26M36D	26P36C	U36D	PUADP + Y35P3 + Y34PR	EDB1 + Y20PQ10	
YAV300M14		14		78.3													15.0
YAV300M16		16		80.3													17.0
YAV300M20		20		86.3													21.0
YAV300FM12		Flex 300 UK		12													24.2
YAV300FM14	14		82.4	15.0													
YAV300FM16	16		84.4	17.0													
YAV300FM20	20		90.4	21.0													

N = Nest die, I = Indentor

Y260DBHM takes U-Dies with adaptor 26UADP

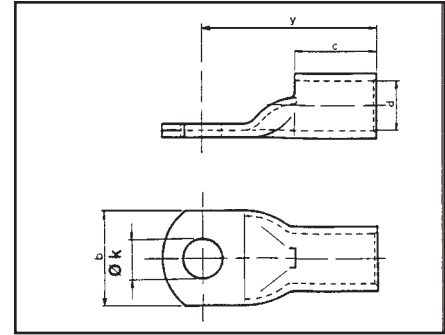
* Y46 takes U-Dies with adaptor PUADP-1

Y22BH takes U-Dies with adaptor 22UADP

TYPE YAV

HYLUG™

NON-INSULATED COPPER
TUBULAR TERMINALS
0.3 - 1000 mm²
(Continued)



C-90

Catalog Number	mm ²	Stud size	d	y	b	c	Øk	Pack Qty.	Hydraulic tools																
									Y644M	Y260DBHM		Y46*		UK-Y22BH		Y530DBHM									
										N	I	N	I	N	I	N	I								
YAV350M12	350 (700 MCM)	12	25.0	77.3	46.0	43.0	13.2	10	DIELESS	26M38D	26P-36C	P38D													
YAV350M16		16		80.3			17.0												26M39D	P39D					
YAV350M20		20		86.3			21.0																		
YAV375M12	375 (750 MCM)	12	81.3	48.0	43.0	13.2	10	26M41D		26P40-45C	P41D	ED41BD	EDPB1 + Y20PQ10												
YAV375M16		16	84.3			17.0												26M44D	P44D	ED44BD	EDPB1 + Y20PQ11				
YAV375M20		20	90.3			21.0																		26M45D	P45D
YAV400M12	400	12	26.7	81.3	49.5	43.0	13.2	10		26M46D	P46D														
YAV400M14		14		82.3			15.0											26M48D	P48D						
YAV400M16		16		84.3			17.0																	26M49D	P49D
YAV400M20		20		90.3			21.0											26M50D	P50D						
YAV400FM12	Flex 400 UK	12	27.2	83.6	51.0	44.0	13.2	10		26M51D	P51D														
YAV400FM14		14		84.6			15.0																	26M52D	P52D
YAV400FM16		16		86.6			17.0		26M53D									P53D							
YAV400FM20		20		92.6			21.0																26M54D	P54D	
YAV500M12	500	12	29.8	87.8	55.1	47.7	13.2	10		26M55D	P55D														
YAV500M14		14		88.8			15.0		26M56D									P56D							
YAV500M16		16		90.8			17.0																26M57D	P57D	
YAV500M20		20		96.8			21.0		26M58D									P58D							
YAV630M16	630	16	33.3	96.7	61.8	51.0	17.0	10		26M59D	P59D														
YAV630M20		20		102.7			21.0																26M60D	P60D	
YAV630FM20	Flex 630 UK	20	34.4	104.6	63.0	53.0	21.0	10	26M61D	P61D															
YAV630FM22		22		106.6			23.8										26M62D	P62D							
YAV800M20*	800 (1500 MCM)	20	38.0	113.6	67.5	52.0	21.0	10	26M63D	P63D	HEAD	ED466BD	EDPB2 + Y48PQ2												
YA47L	800 (1750 MCM)	20	39.6	116.4	67.5	52.0	21.0	10									26M64D	P64D							
YA48L	1000 (2000 MCM)	20	42.2	127.2	77.7	55.0	21.0	10																	

N = Nest die, I = Indenter
 Y260DBHM takes U-Dies with adaptor 26UADP
 * Y46 takes U-Dies with adaptor PUADP-1
 Y22BH takes U-Dies with adaptor 22UADP
 Y530DBHM takes U-Dies with adaptor 53UADP.